

Technical Data Sheet

WEISS™

FV130

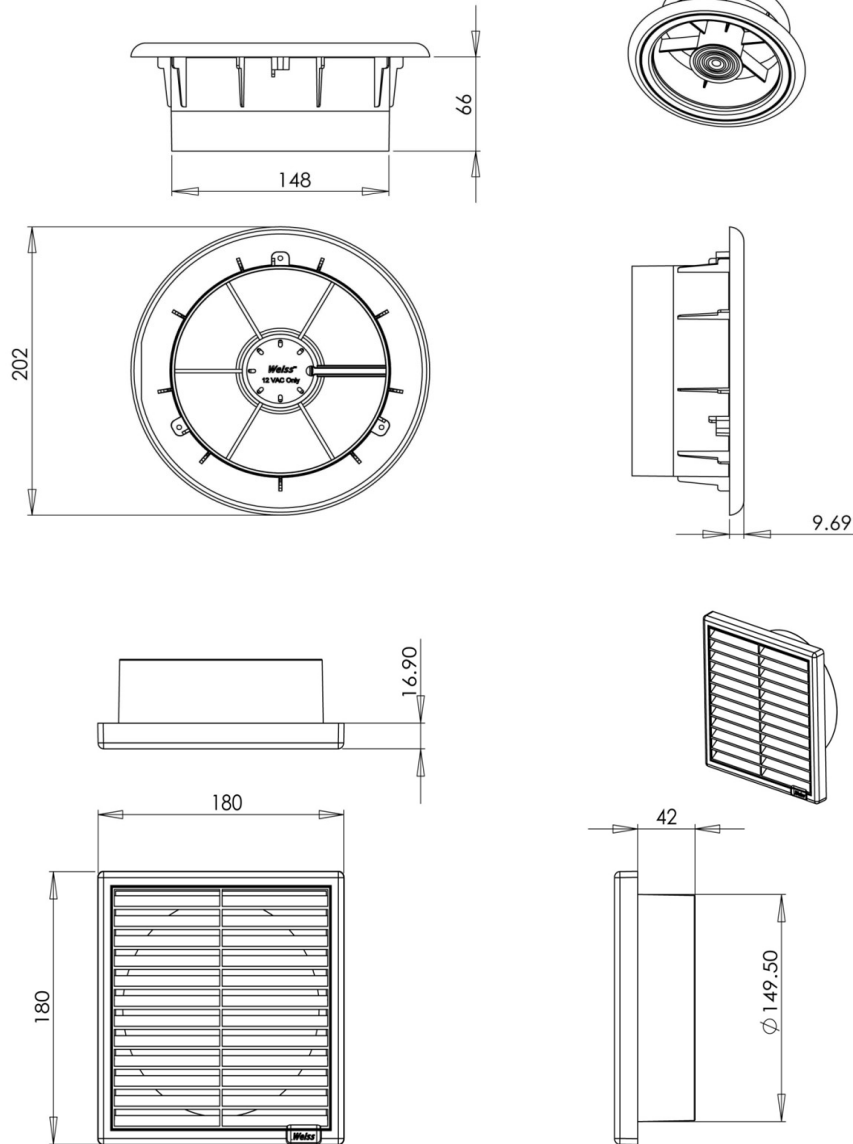
Shower Fan Unit

150mm ducting

Dimensions

Cut-out size for inlet fascia 170mm

Cut out size for outlet vent 158mm



Specifications

Weight	2kg
Colour of front fascia	White
Housing material	ABS

Approval

AS/NZS 603350.2.80:2004 Amdt 1
AS/NZS 60335.1.2011 incl Amdt.1

Features

- Easy to install
- 6 metres of 150mm ducting supplied
- Unique 'no fuss' all in one unit
- Allows moisture to be removed to the outside of your home
- All parts are included
- 3 year extended warranty

Technical Data Sheet

Product Use

The FV130 is used for the extraction of mist and steam

Typical applications:

- Bathrooms
- Toilets
- Laundries

Environmental Conditions

Operation	to IEC 721-3-3
Climatic conditions	class 3K5
Temperature	0...+50°C
Humidity	<95% r.h.

Standards

Test standards	AS/NZS 603350.2.80: 2004 Amdts 1 and 1:2011 Amdt.1 5773
Test Report no EMC Compliance	This is a Level One product with an C frame motor that has a very low risk of causing EMC Interference

General

Free Air Fan Performance	362m ³ / hr 100.6L/sec
Installed decibel rating	45DB

Ordering

When ordering please give name and type,	
Reference	FV130
Barcode	942000490093-8

Technical Data

Power Supply	230 VAC
Power consumption	max. 0.4 Amps
Supply Line fusing	max. 10A
For solid wires	2 x 1.5mm ²
Motor	230-240VAC 50Hz 0.4 Amp
Motor insulation class	B1
Total motor wattage	40 Watts
Motor protection	Thermally protected
Total product wattage	40 watts